

STAINLESS STEEL DRAINAGE & CIVIL



Australian Made Linear Grates | Domestic and Commercial

Innovative and Stylish
Surface Drainage
Solutions for Architects,
Builders and Plumbers

Stainless
Steel DRAINAGE
AND CIVIL
ABN 65 601 447 732



THE BOLLINGER SERIES

Our high performance standard grates & trays.

Designed by SSDC the Bollinger Series of Grates and Troughs blends cutting edge technology with today's need for aesthetic and functional indoor and outdoor grates.

THE BOLLINGER SERIES:

Bollinger Series 75

Bollinger Series 100

Bollinger Series 150

WELCOME

Stainless Steel Drainage and Civil is one of the leading manufacturers and suppliers of quality building and plumbing products.

Available in made to measure lengths, site measured to suit any project or length. We supply Care Instruction Kits for our Customers.





DOMESTIC APPLICATIONS

- Showers
- Swimming Pools
- Outdoor Continuous Living
- Courtyards
- Patios

Our **Bollinger Series** provides a versatile and efficient solution for both new build and renovation projects, architecturally easy to include and timeless in appearance.

COMMERCIAL APPLICATIONS

Stainless Steel Drainage & Civil Sumps can be made as a stand alone drainage option or to be installed in line with a stainless trench grate system. All while utilising the benefits of grade #304 or #316 stainless steel.

- Aged Care
- Bars and Restaurants
- Supermarkets
- Wet Areas
- Driveways
- Courtyards & Landscaping

We are a distributor of the MEA Drainage Systems.



Floor Plates

- Perfect for the food processing industry
Withstands oil, water, grease, food bi-products, dust and other slippery substances
- Provides traction safety
- Easily installed
- Custom made to customers specifications

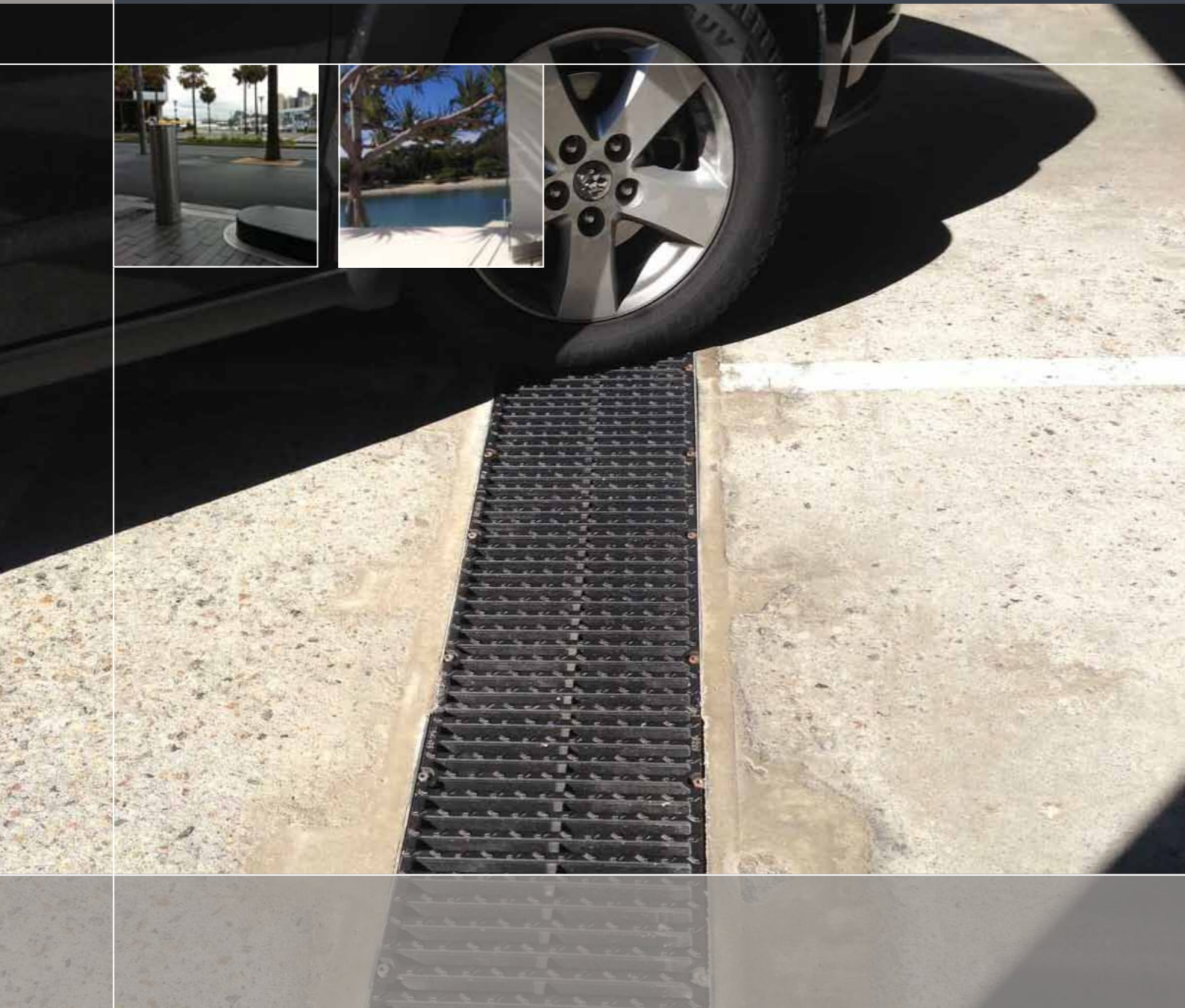
Tundish Designs

- Custom wall and floor mounted Tundishes are available upon request

Outlet Options

- Welded
- Loose
- Fixed Strainer
- Removable Strainer





DRIVEWAYS & LANDSCAPING

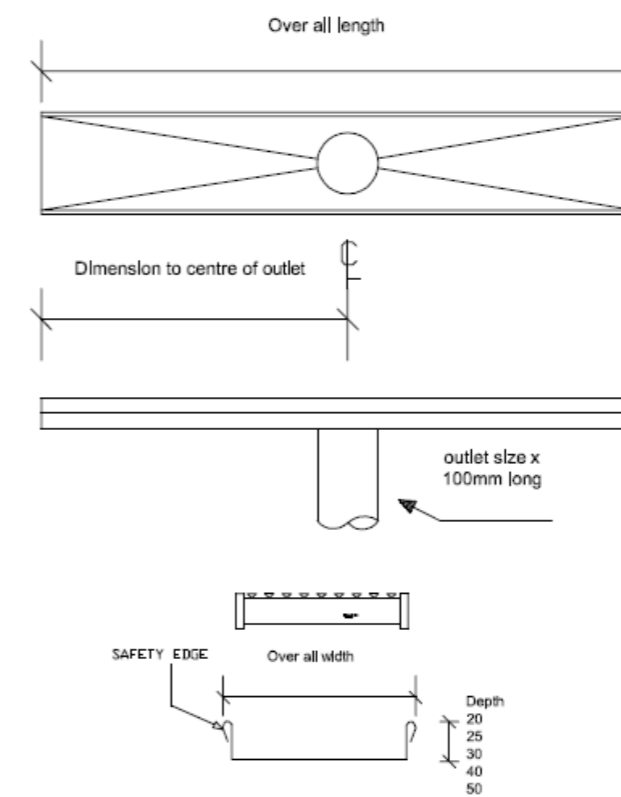
For driveways and landscaping we recommend MEA Drain Solutions.



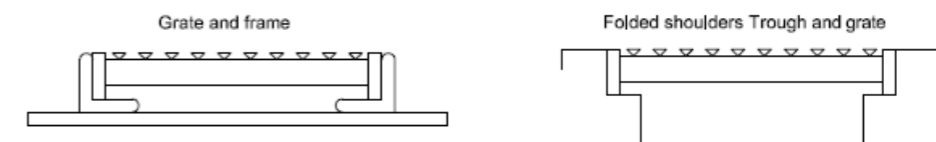
SITE MEASURE PLAN

You can request a quote by simply nominating the specific measurements via our Site Measure Plan or one of our team can visit your site and measure for you.

Safety edge trough and grate

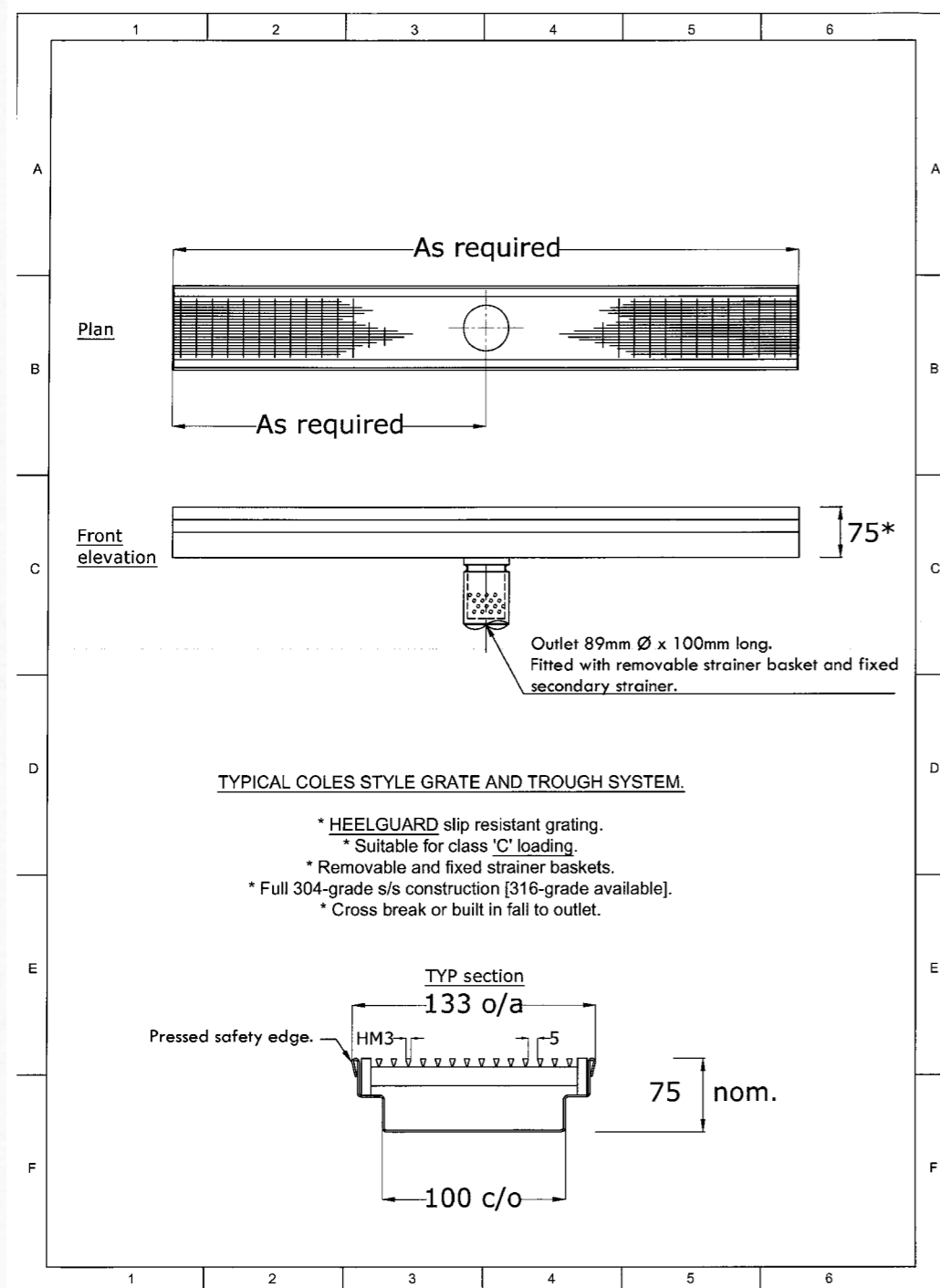


ALSO AVAILABLE



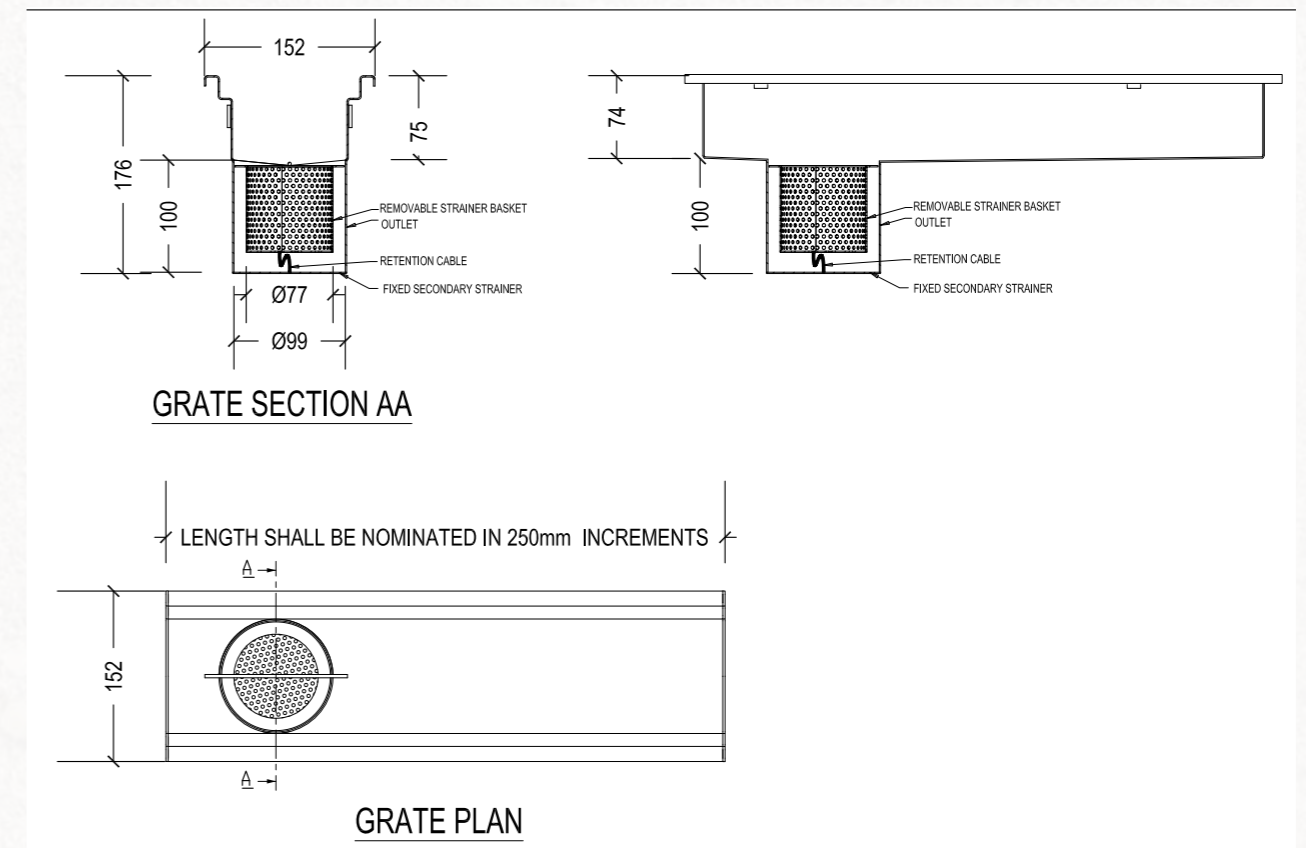
COLES SPECIFIED GRATE AND TROUGH SYSTEM

HeelGuard Slip Resistant Grating, suitable for Class 'C' Loading.
 Removable and fixed strainer baskets.
 304 grade Stainless Steel Construction (316 grade is available).



WOOLWORTHS SPECIFICATIONS

Extra Heavy Duty Stainless Steel Grate
 Slip Resistant suitable for Class C Loading
 Basket strainer outlet with secondary strainer and retaining wire



STAINLESS STEEL DRAINAGE & CIVIL

SALES & ENQUIRIES

PO Box 1478
Mooloolaba QLD
4557 Australia

P. 07 5477 7619
F. 07 3036 5348
M. 0404 855 873

www.ssd.com.au

Stainless
Steel DRAINAGE
AND CIVIL

ABN 65 601 447 732

